

THPA (W) SERIES

FEATURES OF ALARM SYSTEM

- ★ SELF CONTAINED ON THE LOCK BODY.
- ★ POWERED BY A STANDARD 9 VOLT BATTERY, WHICH PRODUCES 108 DBS.
- ★ LOW BATTERY ALERT IS INCORPORATED. IF THE BATTERY VOLTAGE DROPS BELOW 3 VOLTS THE ALARM SOUNDS CONTINUOUSLY.
- ★ FIELD REPLACEMENT OF ENTIRE BOARD IS VERY SIMPLE.
- ★ CONNECTIONS FOR KEY SWITCH ARE SLIP FIT FOR EASY REPLACEMENT IF NEEDED.
- ★ WITH OR WITHOUT OUTSIDE ACCESS OPTION.
- ★ UL LISTED PANIC HARDWARE.

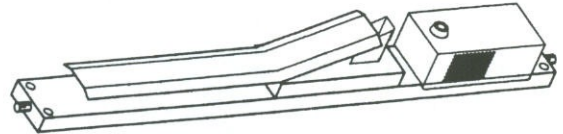
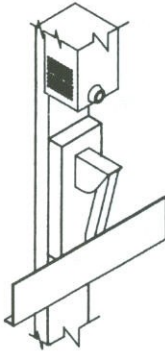
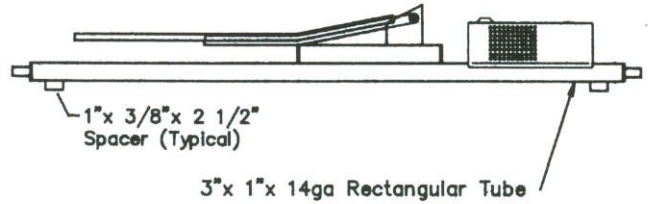
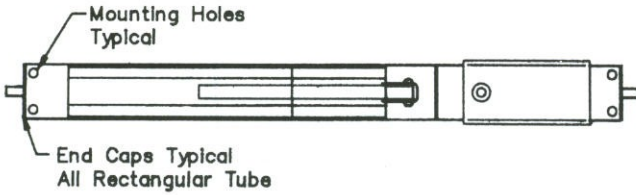
LIFE-TIME WARRANTY



- ★ LOCKS BOTH SIDES OF DOOR SIMULTANEOUSLY.
- ★ 18" PADDLE FOR EASY OPERATION.
- ★ INSTALLATION IS VERY SIMPLE: LOCK REQUIRES 4 HOLES TO BE DRILLED FOR SURFACE MOUNTING ON DOOR, 2 HOLES TO BE DRILLED IN DOOR JAMB, AND INSTALLATION IS COMPLETE.

"When you absolutely, positively want to lock a door, use Positive Lock"

American Made with Quality and Pride



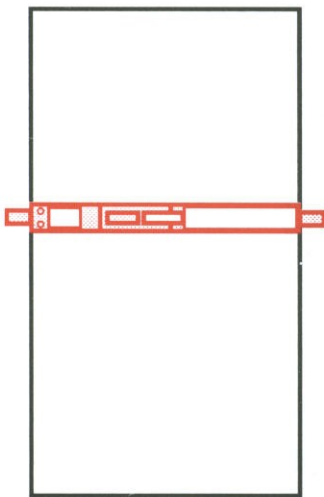
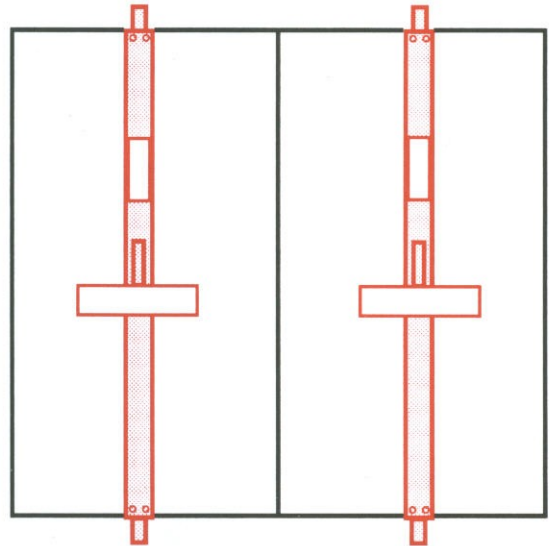
MODEL # THPA(W)-SERIES, EMERGENCY EXIT DEVICE, 18" PADDLE, W/ALARM

Stock Sizes:

- | | | |
|------------|---|---------|
| THPA(W)-30 | * For Horizontal Mount on 3'0" wide doors | 17 lbs. |
| THPA(W)-36 | * For Horizontal Mount on 3'6" wide doors | 18 lbs. |
| THPA(W)-40 | * For Horizontal Mount on 4'0" wide doors | 19 lbs. |

Special sizes available within 7 working days

Weight:



Weight:
30 lbs.

THPA(W)-70 * For Vertical Mount on 7'0" high doors
Note: THPA(W)-70 vertical mounted locks are furnished
with horizontal 18" paddles.



402 EAST 39TH STREET

RUSSELLVILLE, AR 72801-9780